



Dear customer,
we would like to thank you for your support and for choosing Mignon Single Dose and **Eureka ORO**. Eureka ORO is born from 100 years' experience in the coffee grinders industry and the will to go further, developing a **new generation of coffee grinders** aiming to provide **unique grinding solutions** to support the most demanding baristas, both in prosumer and professional market.

Considering the particularity of **Mignon Single Dose**, we decided to share with you the **Best Practices** to make the best use of the grinder and optimise its performance.



For a correct use of your Mignon Single Dose, follow our suggestions:

Use the wooden lid exclusively on Blow Up Cleaning (rubber bellow) to keep it intact over time.

Take care of your wooden lid! 😊



In case you do not use the Blow Up Cleaning (rubber bellow), please remember to place the plastic lid on the hopper for a perfect fitting.



MIGNON
SINGLE DØSE

BEST PRACTICE



Weigh the desired amount of coffee



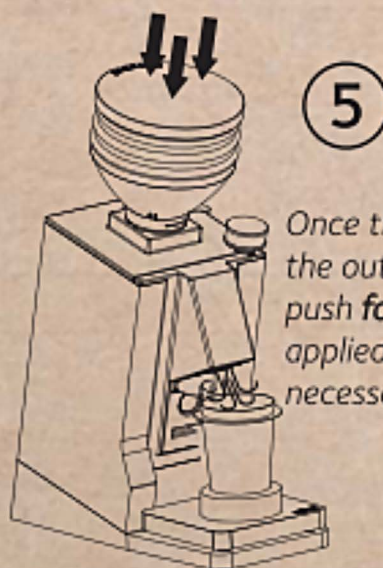
Check that the **bean hopper tab** is **closed** and then insert the coffee into the bean hopper



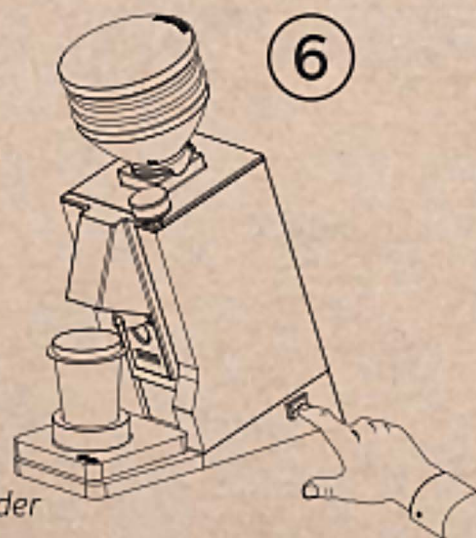
Once you have started the grinding with the side button, **open the tab**



As soon as the last coffee bean has dropped into the grinding chamber, **close again the tab**



Once the coffee no longer comes out of the outlet chute, keep the tab closed and push **for few seconds** the Blow Up System applied on the bean hopper, for the time necessary to clean the grinding chamber



Turn off the coffee grinder